

Instruction
Booklet

Electric
Oven



Important Safety Information

You **MUST** read these warnings carefully before installing or using the oven. If you need assistance, contact our Customer Care Department on **08705 950950**

Installation

- This oven must be installed by qualified personnel to the relevant British Standards.
- This oven is heavy. Take care when moving it.
- Remove all packaging, both inside and outside the oven, before using the oven.
- Once you have removed all packaging from the appliance, ensure that it is not damaged and the electric cable is in perfect condition. Otherwise, contact your dealer before proceeding with the installation.
- Do not attempt to modify the oven in any way.

Child Safety

- This oven is designed to be operated by adults. Do not allow children to play near or with the oven.
- Do not allow children to sit or climb on the drop down door.
- This appliance is not intended for use by children or other persons whose physical, sensory or mental capabilities or lack of experience and knowledge prevents them from using the appliance safely without supervision or instruction by a responsible person to ensure that they can use the appliance safely.
- The oven gets hot when it is in use. Children should be kept away until it has cooled.

During Use

- This oven is intended for domestic cooking only. It is not designed for commercial or industrial purposes.
- The oven gets hot when it is in use and retains heat for a long period after use. Care should be taken to avoid touching heating elements inside the oven.
- Always stand back from the oven when opening the oven door during or immediately after use to allow any build up of steam to release.
- Never line any part of the oven with aluminium foil.
- Do not allow heatproof cooking material, e.g.

roasting bags, to come into contact with oven elements.

- Never place plastic or any other material which may melt in or on the oven.
- Do not place sealed cans or aerosols inside the oven. They may explode if they are heated.
- Do not hang towels, dishcloths or clothes from the oven or its handle.
- Do not use this oven if it is in contact with water and never operate it with wet hands.
- Take great care when heating fats and oils as they will ignite if they become too hot.
- Always use oven gloves to remove and replace food in the oven.
- Ensure that all control knobs are in the OFF position when not in use.
- Do not leave cookware containing foodstuffs, e.g. fat or oil in or on the oven in case it is inadvertently switched ON.
- When using other electrical appliances, ensure the cable does not come into contact with the hot surfaces of the oven.

Maintenance and Cleaning

- Only clean this oven in accordance with the instructions.
- The oven should be kept clean at all times. A build-up of fats or other foodstuffs could result in a fire, especially in the grill pan.
- Always allow the oven to cool down and switch off the electrical supply before carrying out any cleaning or maintenance work.
- Never use steam or steam machines to clean the appliance.
- Do not use harsh abrasive cleaners or sharp metal scraper to clean the oven door glass since they can scratch the surface, which may result in shattering of the glass.

Service

- This oven should only be repaired or serviced by an authorised Service Engineer and only genuine approved spare parts should be used.

Contents

For the User

Important Safety Information	2
Description of the Oven	4
Before the First Use	4
Controls	5
Using the Oven	6
Cleaning the Oven	8
Something not Working	10
Service and Spare Parts	14
Guarantee Conditions	14
European Guarantee	15

For the Installer

Technical Data	11
Electrical Connection	12
Building In	13

Guide to Use the instructions

The following symbols will be found in the text to guide you throughout the Instructions:



Safety Instructions



Step by step instructions for an operation



Hints and Tips




Environmental information

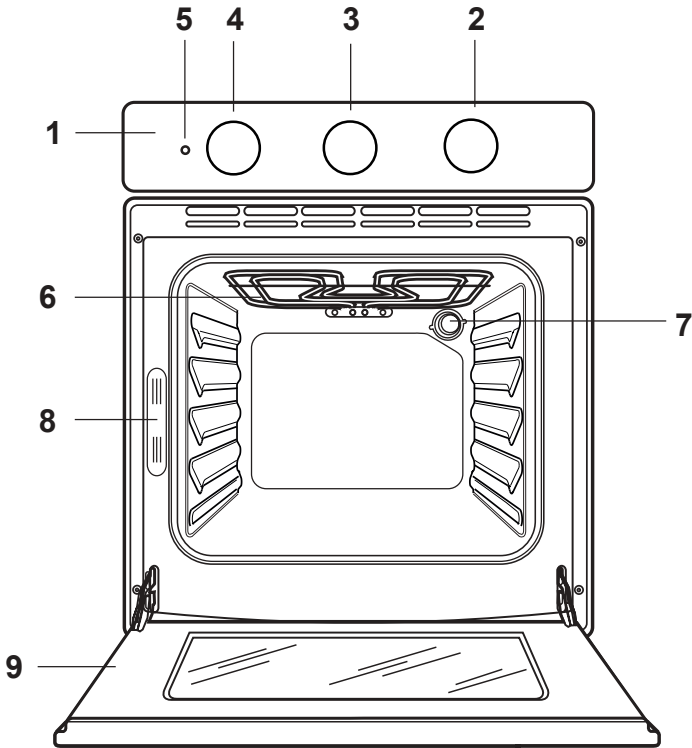
Keep this instruction book for future reference and ensure it is passed on to any new owner.

Environmental Information

- After installation, please dispose of the packaging with due regard to safety and the environment.
- When disposing of an old appliance, make it unusable, by cutting off the cable. Remove any door catches, to prevent small children being trapped inside.

The symbol  on the product or on its packaging indicates that this product may not be treated as household waste. Instead it shall be handed over to the applicable collection point for the recycling of electrical and electronic equipment. By ensuring this product is disposed of correctly, you will help prevent potential negative consequences for the environment and human health, which could otherwise be caused by inappropriate waste handling of this product. For more detailed information about recycling of this product, please contact your local city office, your household waste disposal service or the shop where you purchased the product.

Description of the Oven



1. Control Panel
2. Oven Function Control Knob
3. Minute Minder
4. Thermostat Control Knob
5. Thermostat Control Light
6. Grill
7. Oven Light
8. Rating Plate
9. Oven Door


Before the First Use



Remove **all packaging**, both inside and outside the oven, before using the appliance. Before first use, the oven should be heated without food. During this time, an unpleasant odour may be emitted. This is quite normal.

Before cooking for the first time, carefully wash the oven accessories.




1. Switch the oven function control knob to conventional cooking function .

2. Set the thermostat control knob to MAX.





3. Open a window for ventilation.

4. Allow the oven to run empty for approximately 45 minutes.

This procedure should be repeated with the grill function  for approximately 5-10 minutes.

Controls

Oven Function Control Knob

- 0 The oven is off.
-  **Conventional cooking** - The heat comes from the top and bottom element of the oven, ensuring even heating inside the oven.
-  **Bottom heating element** - The heat comes from the bottom of the oven only.
-  **Top heating element** - The heat comes from the top of the oven only.
-  **Grill** - The grill element will be on.

Thermostat Control Knob

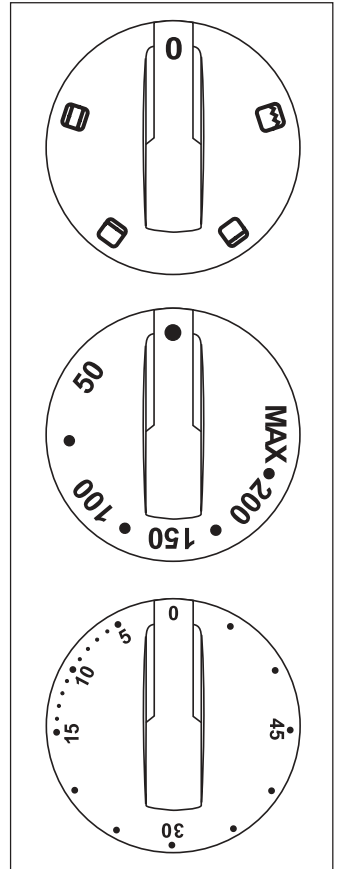
Turn the thermostat control knob clockwise to select temperatures between 50°C and 230°C (MAX).

Minute Minder

The minute minder will mark the end of a timed period with an acoustic alarm. The maximum timing is 60 minutes. Turn the minute minder knob to the maximum time position, then turn it back to the required time. The minute minder will not affect in any way the oven operation, if it is in use.

Thermostat Control Light

The thermostat control light will come on when the thermostat control knob is turned. The light will remain on until the correct temperature is reached. It will then cycle on and off to show the temperature is being maintained.



Using the Oven

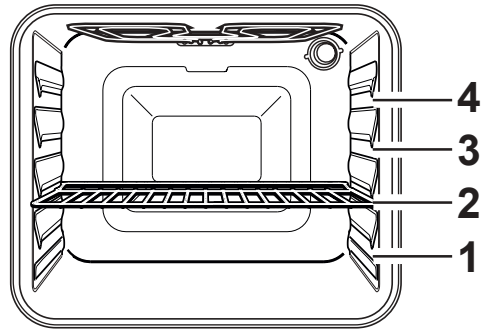


Always cook with the oven door closed.

Stand clear when opening the drop down oven door. **Do not** allow it to fall open - support the door using the door handle, until it is fully open. The oven has four shelf levels, and is supplied with two shelves. The shelf positions are counted from the bottom of the oven as shown in the diagram.



Attention! - Do not place cookware/objects on the oven base and do not cover any part of the oven with aluminium foil while cooking, as this could cause a heat build-up which would affect the baking results and damage the oven enamel. Always place pans, heat-resisting pans and aluminium trays on the shelf which has been inserted in the shelf runners.



Condensation and steam

The oven is supplied with an exclusive system which produces a natural circulation of air and the constant recycling of steam. This system makes it possible to cook in a steamy environment and keep the dishes soft inside and crusty outside. Moreover, the cooking time and energy consumption are reduced to a minimum. During cooking steam may be produced which can be released when opening the oven door. This is absolutely normal.



However, always stand back from the oven when opening the oven door during cooking or at the end of it to allow any build up of steam or heat to release.



When food is heated, it produces steam in the same way as a boiling kettle does. When steam comes in contact of the oven door glass, it will condense and produce water droplets. To reduce condensation, ensure the oven is well heated before placing food in the oven cavity. A short oven pre-heating (about 10 minutes) will then be necessary before anycooking. We recommend you to wipe away condensation after each use of the appliance.

Cookware

- Use any oven proof cookware which will withstand temperatures of 230°C.
- Baking trays, oven dishes, etc. should not be placed directly against the grid covering the fan at the back of the oven, or placed on the oven base.
- Do not use baking trays larger than 30 cm x 35 cm (12 in x 14 in) as they will restrict the circulation of heat and may affect performance.

The effects of dishes on cooking results

Dishes and tins vary in their thickness, conductivity, colour, etc. which affects the way they transmit heat to the food inside them.

- A** Aluminium, earthenware, oven glassware and bright shiny utensils reduce cooking and base browning.
- B** Enamelled cast iron, anodized aluminium, aluminium with non-stick interior and coloured exterior and dark, heavy utensils increase cooking and base browning.

Cooking Chart

i The oven temperatures are intended as a guide only. It may be necessary to increase or decrease the temperatures to suit individual preferences and requirements. Cooking times in the tables do not include pre-heating.

A short oven pre-heating (about 10 minutes) will then be necessary before any cooking.

NOTE: Shelf positions are counted from bottom of the oven.

Food	Shelf Position	Cooking Temp (°C)
Biscuits	2 - 3	180-190
Bread	2	210-220
Casseroles	2	150-180
Cakes:		
- Small and queen	2	170-180
- Sponges	2	180-190
- Madeira	2	160-170
- Rich Fruit	2	150-160
- Christmas	1 - 2	130-140
- Meringues	2	100-110
Fish	2	170-190
Fruit Pies and Crumbles	2	190-200
Milk Puddings	2	130-140
Pastry:		
- Choux	2 - 3	160-170
- Shortcrust	}	190-200
- Flaky		
- Puff		
Plate Tarts	1 - 2	190-200
Quiches/Flans	1 - 2	190-200
Scones	2	230
Roasting:		
- Meat & Poultry	2	180-200

Grilling Chart

Cooking time depends on the thickness of the meat and not on its weight.

i The oven temperatures are intended as a guide only. It may be necessary to increase or decrease the temperatures to suit individual preferences and requirements.


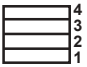
Cooking times in the tables do not include pre-heating.

A short oven pre-heating (about 10 minutes) will then be necessary before any cooking.

! Grilling must be carried out with the oven door closed. The grill pan handle must be removed from the pan during grilling.

Always use oven gloves to remove and replace the grill pan handle.

Ensure that you support the grill pan when removing it from the oven.

TYPE OF DISH	Quantity		Grilling		Cooking time (minutes) 	
	Pieces	Weight	Level 	temp. °C	Upper side	Lower side
Fillet steaks	4	800	3	max	12 ~ 15	12 ~ 14
Beef-steaks	4	600	3	max	10 ~ 12	6 ~ 8
Sausages	8	—	3	max	12 ~ 15	10 ~ 12
Pork chops	4	600	3	max	12 ~ 16	12 ~ 14
Chicken (cut in two)	2	1000	3	max	30 ~ 35	25 ~ 30
Kebabs	4	—	3	max	10 ~ 15	10 ~ 12
Chicken (breast)	4	400	3	max	12 ~ 15	12 ~ 14
Hamburger	6	600	3	max	10 ~ 15	8 ~ 10
Fish (fillets)	4	400	3	max	12 ~ 14	10 ~ 12
Sandwiches	4-6	—	3	max	5 ~ 7	—
Toast	4-6	—	3	max	2 ~ 4	2 ~ 3

Cleaning the Oven



Before any cleaning switch the oven off and let it cool down.

Never use steam or steam machines to clean the appliance.

The oven should be kept clean at all times. A build-up of fats or other foodstuffs could result in a fire, especially in the grill pan.

Before using any cleaning materials on your oven, check that they are suitable and that their use is recommended by the manufacturer.

Cleaners that contain bleach and harsh abrasives should **NOT** be used.

For external and internal cleaning, use a soft cloth well wrung out in warm water to which a little liquid detergent has been added.

To prevent damaging or weakening the door glass panels avoid the use of the following: household detergent and bleaches, impregnated pads unsuitable for non-stick saucepans, "Brillo/Ajax" pads or steel wool pads, chemical oven pads or aerosols, rust removers, bath/sink stain removers. Should the inner door glass become heavily soiled it is recommended that a cleaning product such as Hob Brite is used.



DO NOT clean the oven door while the glass panels are warm. If this precaution is not observed the glass panel may shatter.

If the door glass panel becomes chipped or has deep scratches, it must be replaced to prevent the possibility of the panel shattering. Contact your local Service Force Centre.

Cleaning the Oven Door

Before cleaning the oven door, we recommend you to remove it from the oven.

Proceed as follows:

1. open the oven door completely;
2. find the hinges linking the door to the oven (**Fig. A**);
3. unlock and turn the small levers located on the two hinges (**Fig. B**);
4. handle the door by its left- and right-hand sides, then slowly turn it towards the oven until it is half-closed (**Fig. C**);
5. gently pull the oven door off its site (**Fig. C**);
6. place it on a steady plan;

Clean the oven door glass with warm soapy water and a soft cloth only. Never use harsh abrasives. Once the cleaning is carried out, refit the oven door, following the procedure in reverse.

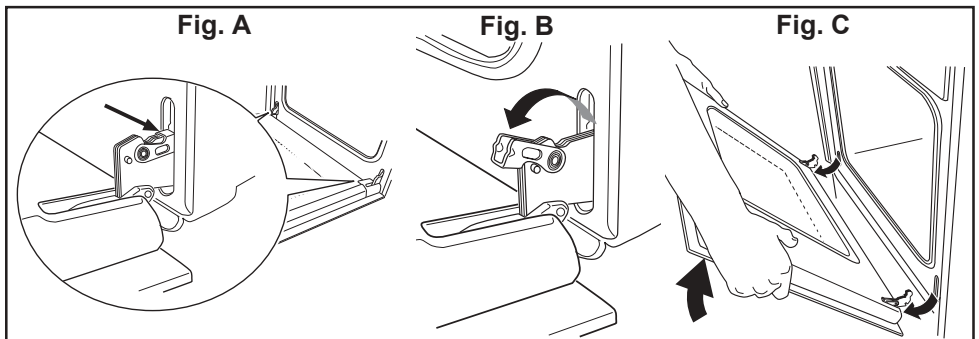
Models in stainless steel or aluminium:

We recommend to clean the oven door using only a wet sponge and dry it up after cleaning with a soft cloth. Never use steel wool, acids or abrasive products as they can damage the oven surface. Clean the oven control panel following the same precautions.



DO NOT clean the oven door while the glass panels are warm. If this precaution is not observed the glass panel may shatter.

If the door glass panel becomes chipped or has deep scratches, the glass will be weakened and must be replaced to prevent the possibility of the panel shattering. Contact your local Service Centre who will be pleased to advise further.



Replacing The Oven Light



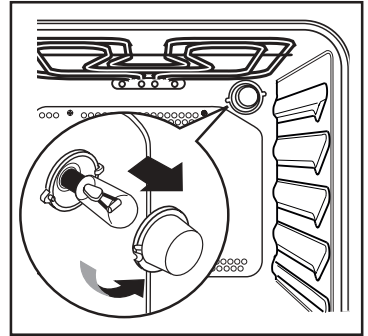
Disconnect the appliance.

If the oven bulb needs replacing, it must comply with the following specifications:

Electric power: 15 W/25 W; Electric rate: 230 V (50 Hz); Resistant to temperatures of 300°C; Connection type: E14.

These bulbs are available from your local Service Force Centre. To replace the faulty bulb:

1. Ensure the oven is disconnected from the electrical supply.
2. Turn the glass cover counterclockwise.
3. Remove the faulty bulb and replace with the new one.
4. Refit the glass cover and restore the electrical supply.




Something not Working


If the appliance is not working correctly, please carry out the following checks, before contacting your local Service Force Centre.

IMPORTANT: If you call out an engineer to a fault listed below, or to repair a fault caused by incorrect use or installation, a charge will be made even if the appliance is under guarantee.

SYMPTOM	SOLUTION
<ul style="list-style-type: none"> ■ The oven does not come on 	<ul style="list-style-type: none"> ◆ Check that both a cooking function and temperature have been selected. ◆ Check the appliance is wired in properly, and the socket switch or the switch from the mains supply to the oven are ON.
<ul style="list-style-type: none"> ■ The oven temperature light does not come on 	<ul style="list-style-type: none"> ◆ Select a temperature with the thermostat control knob ◆ Select a function with the oven function control knob.
<ul style="list-style-type: none"> ■ The oven light does not come on 	<ul style="list-style-type: none"> ◆ Select a function with the oven function control knob ◆ Check the light bulb, and replace it if necessary (see paragraph "Replacing The Oven Light")
<ul style="list-style-type: none"> ■ It takes too much time to finish the dishes, or they are cooked too fast. 	<ul style="list-style-type: none"> ◆ The temperature may need adjusting ◆ Refer to the contents of this booklet, especially to the chapter "Using the Oven".
<ul style="list-style-type: none"> ■ Steam and condensation settle on the food and the oven cavity. 	<ul style="list-style-type: none"> ◆ Leave dishes inside the oven no longer than 15-20 minutes after the cooking is completed.

Technical Data

 **The oven must be installed according to the instructions supplied.**

 **This oven must be installed by qualified personnel.**

Heating element ratings






Top element	800 W
Bottom element	1,000 W
Top+Bottom (total)	1,800 W
Grill element	1,650 W
Oven Light	25 W
Total Rating	1,825 W

Dimensions of the oven cavity

Height	335 mm
Width	405 mm
Depth	410 mm
Oven capacity:	56 litres

Dimensions of recess

Height	undertop: 593 mm; in column 580 mm
Width	560 ÷ 570 mm
Depth	550 mm

1	Manufacturer	Moffat
2	Model	MSS 601
3	Energy efficiency class	
4	- Conventional	
5	- Forced air convection	
	Energy consumption Heating function:	
6	- Conventional	0,79 kW/h
7	- Forced air convection	
8	- Steam	
9	Usable volume (litres)	56,0
	Size: - Small - Medium - Large	
	Time to cook standard load:	
10	- Conventional	43 min.
11	- Forced air convection	
12	The area of the largest baking sheet	1130 cm ²
13	Noise (dB (A) re 1 pW)	
 More efficient Less efficient		
		
2002/40/EC		



This appliance complies with the following **E.E.C.**


Directives:

- 73/23 - 90/683 (Low Voltage Directives)
 - 93/68 (General Directive);
 - 89/336 (Electromagnetic Compatibility Directive)
- and subsequent modifications.

Electrical Connection

The oven is designed to be connected to 230 V (50 Hz) electricity supply.

The oven has an easily accessible terminal block which is marked as follows:

Letter L - Live terminal
 Letter N - Neutral terminal
 or E - Earth terminal



THIS OVEN MUST BE EARTHED

The cable used to connect the oven to the electrical supply must comply to the specifications given below.

Connection via	Min. size Cable/flex	Cable/flex type	Fuse
13 A socket outlet	2.5 mm ²	3 core butyl insulated	13 A min.
13 A spur box			
Cooker Control Circuit	2.5 mm ²	PVC/PVC twin and earth	15 A

It is necessary that you install a double pole switch between the oven and the electricity supply (mains), with a minimum gap of 3mm between the switch contacts and of a type suitable for the required load in compliance with the current rules.

The switch must not break the yellow and green earth cable at any point.

the yellow and green earth cable should be 2-3 cm longer than the other cables.

Important

After installation and connecting, the cable must be placed so that it cannot at any point reach a temperature of more than 60°C above the ambient temperature.

Before the oven is connected, check that the main fuse and the domestic installation can support the load and that the power supply is properly earthed.

The manufacturer declines any responsibility should these safety measures not be carried out.

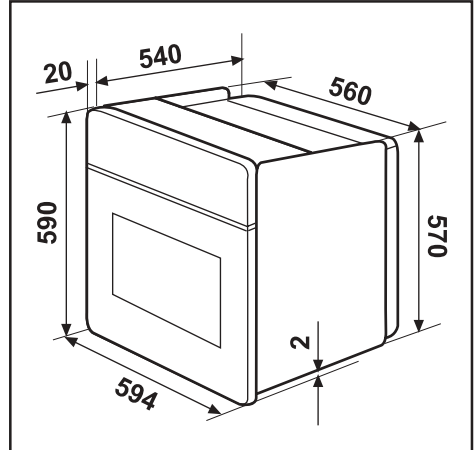
Building In

Please ensure that when the oven is installed it is easily accessible for the engineer in the event of a breakdown.

The surround or cabinet into which the oven will be built must comply with these specifications:

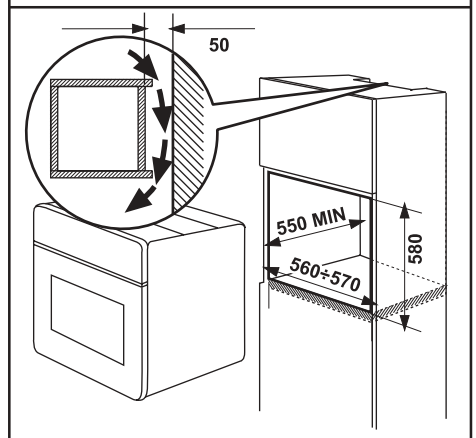
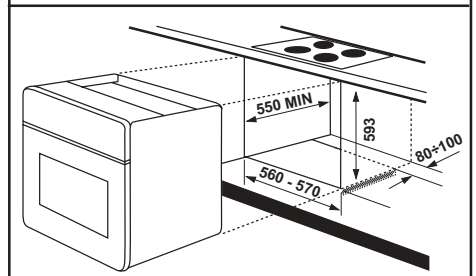
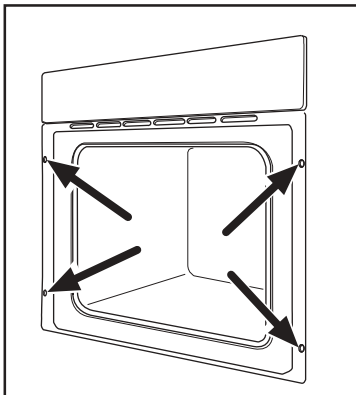
- the dimensions must be as shown in the relevant diagrams;
- the materials must withstand a temperature increase of at least 50°C the above temperature;
- proper arrangements must be made for a continuous supply of air to the oven to prevent the oven overheating.

Dimensions of the oven and recess required are given in the relevant diagrams.



Securing The Oven To The Cabinet

1. Fit the oven into the cabinet recess.
2. Open the oven door.
3. Secure the oven to the kitchen cabinet with four wood screws, which fit the holes provided in the oven frame.



Service and Spare Parts

SERVICE FORCE

If you require spare parts or an engineer contact your local Service Force Centre by telephoning:

08705 929 929

Your call will be routed to the Service Centre covering your post code area. The addresses of Service Force Centres are detailed on the following pages.

CUSTOMERCARE

For general enquiries concerning your Moffat appliance and for further information on Moffat products, contact our Customer Care Department by letter or telephone as follows:

Customer Care Department

Moffat

55-77 High Street
Slough
Berkshire SL1 1DZ
Tel : 08705 950950

* calls to this number may be recorded for training purposes

Guarantee Conditions

Home visits are made between **8.30am and 5.30pm** Monday to Friday. Visits may be available outside these hours, in which case a **premium** will be charged.

Exclusions

This guarantee does not cover:

* Damage or calls resulting from transportation, improper use or neglect, the replacement of any light bulbs or removable parts of glass or plastic.

* Costs incurred for calls to put right an appliance which is improperly installed or calls to appliance outside the United Kingdom.

* Appliances found to be in use within a commercial or similar environment, plus those which are the subject to rental agreements.

* Products of Moffat manufacture which are not marketed by Moffat.

European Guarantee

This appliance is guaranteed by Electrolux in each of the countries listed below for the period specified in the appliance guarantee or otherwise by law. If you move from one of these countries to another of the countries listed below the appliance guarantee will move with you subject to the following qualifications:

- The appliance guarantee starts from the date you first purchased the appliance which will be evidenced by production of a valid purchase document issued by the seller of the appliance.
- The appliance guarantee is for the same period and to the same extent for labour and parts as exists in your new country of residence for this particular model or range of appliances.
- The appliance guarantee is personal to the original purchaser of the appliance and cannot be transferred to another user.
- The appliance is installed and used in accordance with instructions issued by Electrolux and is only used within the home, i.e. is not used for commercial purposes.
- The appliance is installed in accordance with all relevant regulations in force within your new country of residence.

The provisions of this European Guarantee do not affect any of the rights granted to you by law.

www.electrolux.com

		
Albania	+35 5 4 261 450	Rr. Pjeter Bogdani Nr. 7 Tirane
Belgique/België/Belgien	+32 2 363 04 44	Bergensesteenweg 719, 1502 Lembeek
Česká republika	+420 2 61 12 61 12	Budějovická 3, Praha 4, 140 21
Danmark	+45 70 11 74 00	Sjællandsgade 2, 7000 Fredericia
Deutschland	+49 180 32 26 622	Muggenhofer Str. 135, 90429 Nürnberg
Eesti	+37 2 66 50 030	Mustamäe tee 24, 10621 Tallinn
España	+34 902 11 63 88	Carretera M-300, Km. 29,900 Alcalá de Henares Madrid
France	www.electrolux.fr	
Great Britain	+44 8705 929 929	Addington Way, Luton, Bedfordshire LU4 9QQ
Hellas	+30 23 10 56 19 70	4, Limnou Str., 54627 Thessaloniki
Hrvatska	+385 1 63 23 338	Slavonska avenija 3, 10000 Zagreb
Ireland	+353 1 40 90 753	Longmile Road Dublin 12
Italia	+39 (0) 434 558500	C.so Lino Zanussi, 26 - 33080 Porcia (PN)
Latvija	+37 17 84 59 34	Kr. Barona iela 130/2, LV-1012, Riga
Lituania	+370 5 27 80 609	Verkiu 29, 09108 Vilnius, Lithuania
Luxembourg	+35 2 42 43 13 01	Rue de Bitbourg, 7, L-1273 Hamm
Magyarország	+36 1 252 1773	H-1142 Budapest XIV, Erzsébet királyné útja 87
Nederland	+31 17 24 68 300	Vennootsweg 1, 2404 CG - Alphen aan den Rijn
Norge	+47 81 5 30 222	Risløkkvn. 2 , 0508 Oslo
Österreich	+43 18 66 400	Herziggasse 9, 1230 Wien
Polska	+48 22 43 47 300	ul. Kolejowa 5/7, Warsaw
Portugal	+35 12 14 40 39 39	Quinta da Fonte - Edificio Gonçalves Zarco - Q 35 - 2774-518 Paço de Arcos
Romania	+40 21 44 42 581	B-dul Timisoara 90, S6, Bucharest
Schweiz - Suisse - Svizzera	+41 62 88 99 111	Industriestrasse 10, CH-5506 Mägenwil
Slovenija	+38 61 24 25 731	Tržaška 132, 1000 Ljubljana
Slovensko	+421 2 43 33 43 22	Electrolux Slovakia s.r.o., Electrolux Domáce spotrebiče SK, Seberiniho 1, 821 03 Bratislava
Suomi	+35 8 26 22 33 00	Konepajantanta 4, 28100 Pori
Sverige	+46 (0)771 76 76 76	Electrolux Service, S:t Göransgatan 143, S-105 45 Stockholm
Türkiye	+90 21 22 93 10 25	Tarlabagi caddesi no : 35 Taksim İstanbul
Россия	+7 095 937 7837	129090 Москва, Олимпийский проспект, 16, БЦ "Олимпик"

www.electrolux.com